





COMPANY

**The Italian
brand
in the most
beautiful
travelling
kitchens**

CAN is the Italian manufacturer of hobs and sinks whose products can be found off the most exclusive coastlines, and in the heart of the wildest landscapes.

For over 30 years yacht and leisure vehicles manufacturers have chosen CAN to help realise their kitchen ideas, achieved through close collaboration between the respective designers, with a reliable supply chain and a high product quality standard that is never broken.

Many great brands from both the nautical and recreational vehicle markets have found CAN to be an exceptional partner. Authoritative references demonstrate how CAN has, and continues to be successful in bringing the excellence of Italian design to appliances within galleys and recreational vehicle kitchens, helping them to become the most sought after Italian company in the industry, most requested, most popular.

With the growth of CAN ever increasing, the objectives of CAN for the future remain, aiming to serve a market in constant evolution and expansion.

In 2017, CAN has done huge investments in new "moulds" and machinery giving birth to a new range of innovative products to keep its appliances always updated to the last customers' needs and tendencies.

CAN Designers and Researchers have worked in close contact to develop brand new built-in kitchens and innovative cooktops with amazing features.



A world map with a network of white lines connecting various points across the continents. Two callout boxes are present: one in Europe (Italy) and one in East Asia (Hong Kong).


CAN SRL Brescia ITALY
HEADQUARTERS
Main Offices
Production & Assembling
R&D
Design Center
Sales & Services



C.A.N. Far East HK
Limited HONG KONG
Assembling
Sales & Services

An aerial photograph of a white motorboat on a deep blue sea. The boat is viewed from above, showing its deck, cabin, and outboard motor. The water is a rich, dark blue with some whitecaps. The boat is positioned in the lower right quadrant of the frame.

Certifications

Do you wish to know more? Take part in the most important events: appointment in the CAN space

ITALY

Genoa Boat Show (October)



FRANCE

Cannes Yachting Festival (September) and Salon
Nautique International De Paris (December)



GERMANY

Boote Dusseldorf (January) and
Dusseldorf Carvan Salon (August)



HOLLAND

Mets, Amsterdam (November)



UK

Birmingham Nec Show (October)



USA

Louisville (December)



TURKEY

Eurasia Boat Show, Istanbul (February)



QATAR

Qatar International Boat Show, Doha (November)



UNITED ARAB EMIRATES

Dubai International Boat Show (March)



RUSSIA

Moscow Boat Show (March)



CHINA

Shanghai International Boat Show (March)



KOREA

Korea Boat Show, Seoul (May)



13
F
60




News, events, insights: discover online all the CAN world

Cansrl.com is the address where the answer to every question can be found: with catalogues and images that can be downloaded in high resolution, or where information on spare parts, technical details and instruction manuals can be sought. Should anything not be found then live chat is now available.




www.cansrl.com



For a professional kitchen Always. Everywhere

For over thirty years CAN have stood for quality within the kitchen for the marine market. Supplying Hobs and Sinks with professional performances, designed for those who, even whilst travelling, wish to cook just as they would at home. Accurate adjustment of power and even cooking are guideline objectives for CAN, without ever compromising the practicality, compactness or safety of the appliance.

This method of design and manufacture that today meets even the recreational vehicle market, making CAN the reference brand for all professional kitchens away from home.



**Customised solutions
Unique.
Just as whoever cooks**

Materials of all kinds are moulded through Italian design into a variety of shapes and designs. CAN interprets the specific needs of every market, sector, and customer. This enables it to offer a range of versatile solutions that in turn can be customised upon request. Be it stainless steel or glass, elliptical, square, round or irregular shapes, combined or dedicated units. Whether gas, induction, alcohol or ethanol burners, CAN will endeavour to meet every request with the most effective solution. Customised. Unique.

Cooktops CAN are certified CE, Energy Safety, New Zealand, IMQ, CSA and AGA.



GIMBALLING BUILT-IN COOKERS AND OVENS

CJ2000	16
CJ3000	16
CJ3002	17
CJ7000	17
FO5010	18



CRYSTAL

PV1320	22	PV1357	23
PV1350	22	PV1352	24
PV1351	23		



CRYSTAL COMBINATION UNIT

PV1360	28
PV1364	28
PV1366	29



HOODINY

FC1345	32	FC1350	34
FC1348	32	FC1343	34
FC1336	33	FC1344	35
FC1349	33		



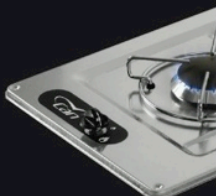
RANDI COMBINATION UNIT

FL1323	38	FL1410	40
FL1324	38	FL1765	42
FL1400	39	FL1766	42
FL1401	39	FL1770	43
FL1402	40	FL1780	43



SLIDE OUT - PORTABLE KITCHEN

SL1400	48
SL1323	49
SL1350	50
SL1338 - SL1336	51



HOTTY

PC1320	54
PC1321	54
PC1322	55
PC1323	55

FOLDY

LC1701	59
LC1710	59



ELECTRICAL COOKING UNITS

PB1327	64	PI3050	62
PB1328	64	PT1356	62
		PT1358	63



SINKS WITH FAUCET

LR1760	69	LR1450	68
LR1770	69	LR1751	68



SINKS

LA1417	77	LA1400	73
LA1418	78	LA1401	73
LA1420	78	LA1402	74
LB1418BA	79	LA1403	74
LA1403BA	79	LA1404	75
LA1499	80	LA1410	75
LA1489	80	LA1411	76
LA1479	81	LB1413	76
		LB1414	77



OUTDOOR

FN1330	84
FN1332	84



ACCESSORIES

RB1491	91	LP1600	88
RB1492	91	LP1601	88
RB1493	91	LP1602	88
RB1853	92	LP1610	88
FP1320	92	LP1800	89
FP1321	92	LP1000	89
PV1370	92	LP1616	89
PV1371	93	LP1699	89
PV1372	93	RB1485	90
		RB1486	90
		RB1487	90
		RB1488	90
		RB1490	91





GIMBALLING BUILT-IN COOKERS AND OVENS

Gas cookers and ovens

High quality built-in and gimbal cookers, with oven and grill, made entirely of stainless steel. Design, Quality and Performance.

CU2000	16
CU3000	16
CU3002	17
CU7000	17
F05010	18



CU2000

High Quality marine cooker, 2 burners with gimbal.

Gas cooker with 30 lt oven capacity in stainless steel, equipped with a 2-burner toughened black glass cooker hob; incl. gimbal assembly kit.

Dimension	500x410x458mm
Number of Burners	2 + Oven
Power	A 1 kW / SR 1,75 kW / Forno 1,9 kW
Supply	GPL 28-30 mbar
Weight	22 kg
Safety System	Thermocouple
Power On	Oven: Piezo electric Burners: Manual
Energy Consumption	(A 73g/h) (SR 127g/h) (Forno 152 g/h)

ACCESSORIES EXTRA



Stainless steel firewall
CU1370



2-ply stainless steel cookware-stop
CU1371

Scan the QR for more information



CU3000

High Quality marine cooker, 3 burners with gimbal.

Gas cooker with oven 30 ltr capacity in stainless steel, equipped with a 3-burner stove in tempered black glass; incl. gimbal assembly kit.

Dimension	500x410x458mm
Number of Burners	3 + Oven
Power	A 1 kW / SR 1,75 kW / SR 1,75 kW / Forno 1,9 kW
Supply	GPL 28-30 mbar
Weight	23 kg
Safety System	Thermocouple
Power On	Oven: Piezo electric Burners: Manual
Energy Consumption	(A 73g/h) (SR 127g/h) (Forno 152 g/h)

ACCESSORIES EXTRA



Stainless steel firewall
CU1370



2-ply stainless steel cookware-stop
CU1372

Scan the QR for more information



CU3002

High Quality built-in gas cooker, 3 burners with oven and grill.

Built-in gas cooker with oven and grill 37 ltr capacity, equipped with a 3-burner stove in tempered black glass.

Dimension	440x495x458mm
Number of Burners	3 + Oven and Grill
Power	A 1 kW / SR 1.75 kW / SR 1.75 kW / Oven 1.9 kW / Grill 1.8 kW
Supply	GPL 28-30 mbar
Weight	26 kg
Safety System	Thermocouple
Power On	Electric 12v
Energy Consumption	(A 73g/h) (SR 127g/h) (SR 127g/h) (oven 152 g/h) (Grill 125.5 g/h)



Scan the
QR for more
information



CU7000

High Quality marine cooker, 3 burners with gimbal.

Built-in gas cooker with minigrill, 28 ltr capacity, made from stainless steel, equipped with a 3-burner stove in black tempered glass with lid.

Dimension	440x495x330mm
Number of Burners	3 + Grill
Power	A 1 kW / SR 1.75 kW / SR 1.75 kW / Grill 1.8 kW
Supply	GPL 28-30 mbar
Weight	21 kg
Safety System	Thermocouple
Power On	Electrics 12v
Energy Consumption	(A 73g/h) (SR 127g/h) (SR 127g/h) (Grill 125.5 g/h)



Scan the
QR for more
information



F05010 New

High Quality built-in gas Oven with grill.

Stainless-steel built-in gas oven with grill, equipped by electric 12 V ignition and door with see through window. Oven and grill burner managed by a thermostatic gas valve with flame failure safety device. More than 23 liters oven capacity with efficient 1,90 kW burner and a unique 1,80 kW grill burner!



Dimension	457x370x430mm
Number of Burners	Oven and Grill
Power	Oven 1.9 kW / Grill 1.8 kW
Supply	GPL 28-30 mbar
Weight	22 kg
Safety System	Thermocouple
Power On	Electric 12v
Energy Consumption	(Oven 152 g/h) (Grill 125.5 g/h)

Scan the QR for more information







CRYSTAL

Hobs meet glass

Crystal was born through seeking new solutions: a line of hobs that utilizes glass as the principle material of the kitchen. Thus, the stainless steel components shine on special scratch-resistant surfaces, in sizes fully customisable, making Crystal the answer for those who wish to go beyond the ordinary, without restraint. What is the secret? Italian designed with maximum care taken over every detail.

PV1320	22
PV1350	22
PV1351	23
PV1357	23
PV1352	24



PV1320

Square glass top N°1 burner SR.

Built-in square stove in scratch-resistant tempered glass, 1-burner gas supply. There is a special sleeve placed on the top of the unit that is used as a seat for the column type pan-holder.

Dimension	290x325mm
Number of Burners	1
Power	SR 1.9 kW
Supply	GPL 28-30 mbar
Weight	5 kg
Safety System	Thermocouple
Power On	Manual
Energy Consumption	(SR 127g/h)
Material	Tempered glass 8mm

ACCESSORIES EXTRA

ALSO AVAILABLE WITH: Electric ignition 12v



Column pot stand,
one clip.

PV1370

Scan the
QR for more
information



PV1350

Rectangular glass top N°1 burner SR.

Built-in rectangular stove in scratch-resistant tempered glass, 1-burner gas supply. There is a special sleeve placed on the top of the unit that is used as a seat for the column type pan-holder.

Dimension	200x365mm
Number of Burners	1
Power	SR 1.9 kW
Supply	GPL 28-30 mbar
Weight	5 kg
Safety System	Thermocouple
Power On	Manual
Energy Consumption	(SR 127g/h)
Material	Tempered glass 8mm

ACCESSORIES EXTRA

ALSO AVAILABLE WITH: Electric ignition 12v



Column pot stand,
one clip.

PV1370

Scan the
QR for more
information



PV1351

Rectangular glass top N°2 burners A-SR.

Built-in rectangular stove in scratch-resistant tempered glass, 2-burner gas supply with A-SR burners. There is a special sleeve placed on the top of the unit that is used as a seat for the column type pan-holder.

Dimension	380x280mm
Number of Burners	2
Power	A 1 kW / SR 1.9 kW
Supply	GPL 28-30 mbar
Weight	8 kg
Safety System	Thermocouple
Power On	Manual
Energy Consumption	(A 73g/h) (SR 127g/h)
Material	Tempered glass 8mm



ACCESSORIES EXTRA

ALSO AVAILABLE WITH: Electric ignition 12v



Scan the QR for more information

Column pot stand, two clips.

PV1371



PV1357

Rectangular glass top N°2 burners SR-R.

Built-in rectangular stove in scratch-resistant tempered glass, 2-burner gas supply with SR-R burners. There is a special sleeve placed on the top of the unit that is used as a seat for the column type pan-holder.

Dimension	300x500mm
Number of Burners	2
Power	SR 1,9 kW / R 3,0 kW
Supply	GPL 28-30 mbar
Weight	7 kg
Safety System	Thermocouple
Power On	Manual
Energy Consumption	(SR 127g/h) (R 218g/h)
Material	Tempered glass 8mm



ACCESSORIES EXTRA

ALSO AVAILABLE WITH: Electric ignition 12v



Scan the QR for more information

Column pot stand, two clips,

PV1371





PV1352

Rectangular glass top N°3 burners A-SR-R.

Built-in rectangular stove in scratch-resistant tempered glass, 3-burner gas supply with A-SR burners. There is a special sleeve placed on the top of the unit that is used as a seat for the column type pan-holder.

Dimension	420x370mm
Number of Burners	3
Power	A 1 kW / SR 1.9 kW / R 3,0 kW
Supply	GPL 28-30 mbar
Weight	10 kg
Safety System	Thermocouple
Power On	Manual
Energy Consumption	(A 73g/h) (SR 127g/h) (R 218g/h)
Material	Tempered glass 8mm

ACCESSORIES EXTRA

ALSO AVAILABLE WITH: Electric ignition 12v



Column pot stand,
three clips,

PV1372

Scan the
QR for more
information



Since





CRYSTAL COMBINATION UNIT

**Wash, cook,
taste:
all in one**

Convenience is the keyword in the kitchen. Creativity needs performing supports, which can accommodate it always, anywhere. This is the reason why CAN have created the combined items: burners and sink in a single space, which is the solution to every request, because free from predefined shapes. Round, square, elliptical, hemispherical: for each kitchen its geometry.

PV1360

28

PV1364

28

PV1366

29



PV1360

Gas hob unit with round sink N°2 burners SR-SR.

Built-in rectangular stove in scratch-resistant tempered glass, 2-burner gas supply with SR-SR burners, complete with round stainless steel sink (LA1417). There is a special sleeve placed on the top of the unit that is used as a seat for the column type pan-holder. Option to mount a tap inside the sink or on the top of the cooker.

Dimension	600x420mm
Number of Burners	2
Power	SR 1,9 kW / SR 1,9 kW
Supply	GPL 28-30 mbar
Weight	8,5 kg
Safety System	Thermocouple
Power On	Manual
Energy Consumption	(SR 127g/h) (SR 127g/h)
Material	Tempered glass 8mm

ACCESSORIES EXTRA

ALSO AVAILABLE WITH: Electric ignition 12v



Column pot stand,
two clips.

PV1371



Replacement drain
with 1 1/4" plug, ø
20-25 mm outlet.

LP1800

Scan the
QR for more
information



PV1364

Gas hob unit with semispheric sink N°2 burners A-SR.

Built-in rectangular stove in scratch-resistant tempered glass, 2-burner gas supply with A-SR burners, complete with round stainless steel sink and tap mounted directly on the glass stove. There is a special sleeve placed on the top of the unit that is used as a seat for the column type pan-holder.

Dimension	788x314mm
Number of Burners	2
Power	A 1 kW / SR 1.9 kW
Supply	GPL 28-30 mbar
Weight	7,5 kg
Safety System	Thermocouple
Power On	Manual
Energy Consumption	(A 73g/h) (SR 127g/h)
Material	Tempered glass 8mm
Dimension Hole Taps	ø 33mm

ACCESSORIES EXTRA

ALSO AVAILABLE WITH: Electric ignition 12v



Replacement
drain with 1
1/4" plug, ø 20-
25 mm outlet.

LP1800



Chrome-plated plastic
hot&cold or cold water
tap, running on a 12 v
microswitch.

RB1487 - RB1488

Scan the
QR for more
information



PV1366

Gas hob unit with rectangular sink N°2 burners A-SR.

Built-in rectangular stove in scratch-resistant tempered glass, 2-burner gas supply with A-SR burners, complete with rectangular stainless steel sink and tap mounted directly on the glass stove. No option to mount the sleeve used as a seat for the column type pan-holder due to the position of the burners.

Dimension	800x365mm
Number of Burners	2
Power	A 1 kW / SR 1.9 kW
Supply	GPL 28-30 mbar
Weight	8 kg
Safety System	Thermocouple
Power On	Manual
Energy Consumption	(A 73g/h) (SR 127g/h)
Material	Tempered glass 8mm
Dimension Hole Taps	ø 33mm



ACCESSORIES EXTRA

ALSO AVAILABLE WITH: Electric ignition 12v



Scan the QR for more information

Chrome-plated plastic hot&cold or cold water tap, running on a 12 v microswitch.

RB1487 - RB1488



Replacement drain with 1 1/4" plug, ø 20-25 mm outlet.

LP1800





HOODINY

Linearity and compactness in the kitchen

To meet the natural lines of a kitchen whilst keeping the overall dimensions to a minimum, CAN offers Hoodiny: hobs with a special tempered glass cover. The closing of the lid allows the stove to be hidden whilst creating new, useful table tops. No surprises: to protect the glass from impacts, the hinge enables a slow and soft closing.

FC1345	32
FC1348	32
FC1336	33
FC1349	33
FC1350	34
FC1343	34
FC1344	35



FC1345

Round gas hob-unit N°1 burner SR.

Rounded built-in stove, made from stainless steel, 1-burner gas supply equipped with self-locking lid, stainless steel support grid fixed with anti-vibration rubber pads. Tempered black glass lid with concealed hinges.

Dimension	Ø 340mm
Number of Burners	1
Power	SR 1.9 kW
Supply	GPL 28-30 mbar
Weight	2,1 kg
Safety System	Thermocouple
Power On	Manual
Energy Consumption	(SR 127g/h)
Material	Aisi304 Stainless Steel

ACCESSORIES EXTRA

ALSO AVAILABLE WITH: Piezomechanic ignition



Column pot stand,
one clip.

PV1370

Scan the
QR for more
information



FC1348

Elliptic gas hob-unit N°2 burners A-SR.

Oval built-in stove, made from stainless steel, 2-burner gas supply equipped with self-locking lid, stainless steel support grid fixed with anti-vibration rubber pads. Tempered black glass lid with concealed hinges.

Dimension	510x390mm
Number of Burners	2
Power	A 1 kW / SR 1.9 kW
Supply	GPL 28-30 mbar
Weight	3,8 kg
Safety System	Thermocouple
Power On	Manual
Energy Consumption	(A 73g/h) (SR 127g/h)
Material	Aisi304 Stainless Steel

ACCESSORIES EXTRA

ALSO AVAILABLE WITH: Electric ignition 12v



Column pot stand,
one clip.

PV1370

Scan the
QR for more
information



FC1336

Rectangular gas hob-unit N°2 burners A-SR.

Rectangular built-in stove, made from stainless steel, 2-burner gas supply, stainless steel support grid fixed with anti-vibration grommets. Tempered black glass lid with concealed hinges.

Dimension	530x340mm
Number of Burners	2
Power	A 1 kW / SR 1.9 kW
Supply	GPL 28-30 mbar
Weight	4,8 kg
Safety System	Thermocouple
Power On	Piezomechanic
Energy Consumption	(A 73g/h) (SR 127g/h)
Material	Aisi304 Stainless Steel



Scan the QR for more information

ACCESSORIES EXTRA

ALSO AVAILABLE WITH: Electric ignition 12v

Column pot stand, two clips.

PV1371



FC1349

Rectangular gas hob-unit N°3 burners A-SR-SR.

Rectangular built-in stove, made from stainless steel, 3-burner gas supply, stainless steel support grid fixed with anti-vibration grommets. Tempered black glass lid with concealed hinges.

Dimension	716x340mm
Number of Burners	3
Power	A1kW/SR1.9kW/SR 1.9kW
Supply	GPL 28-30 mbar
Weight	5,8 kg
Safety System	Thermocouple
Power On	Electric 12v
Energy Consumption	(A 73g/h) (SR 127g/h) (SR 127g/h)
Material	Aisi304 Stainless Steel



Scan the QR for more information



FC1350

Rectangular gas hob-unit N°3 burners A-SR-SR.

Built in rectangular cooktop, made of stainless steel, 3-burner gas supply, stainless steel support grille fixed with anti-vibration rubbers. Single cover in tempered black glass with concealed hinges.

Dimension	716x340mm
Number of Burners	3
Power	A 1 kW / SR 1,9 kW / SR 1,9 kW
Supply	GPL 28-30 mbar
Weight	5,8 kg
Safety System	Thermocouple
Power On	Electric 12v
Energy Consumption	(A 73g/h) (SR 127g/h) (SR 127g/h)
Material	Aisi304 Stainless Steel

Scan the QR for more information



FC143

Triangular gas hob-unit n°3 burners A-SR-SR.

Left-hand triangle built-in stove, made from stainless steel, 3-burner gas supply, stainless steel support grid fixed with anti-vibration grommets. Tempered black glass lid with concealed hinges.

Dimension	480x480mm
Number of Burners	3
Power	A 1 kW / SR 1.9 kW / SR 1.9 kW
Supply	GPL 28-30 mbar
Weight	5,5 kg
Safety System	Thermocouple
Power On	Electric 12v
Energy Consumption	(A 73g/h) (SR 127g/h) (SR 127g/h)
Material	Aisi304 Stainless Steel

Scan the QR for more information



FC1344

Triangular gas hob-unit n°3 burners A-SR-SR

Right-hand triangle built-in stove, made from stainless steel, 3-burner gas supply, stainless steel support grid fixed with anti-vibration grommets. Tempered black glass lid with concealed hinges.

Dimension	480x480mm
Number of Burners	3
Power	A 1 kW / SR 1.9 kW / SR 1.9 kW
Supply	GPL 28-30 mbar
Weight	5,5 kg
Safety System	Thermocouple
Power On	Electric 12v
Energy Consumption	(A 73g/h) (SR 127g/h) (SR 127g/h)
Material	Aisi304 Stainless Steel



Scan the
QR for more
information

ACCESSORIES EXTRA FOR ALL CAN HOB UNIT



Rubber gasket.

RS3000 - RS3001



Scan the
QR for more
information



RANDI COMBINATION UNIT

Quality,
compactness
and
functionality
combined
with the
most flexible
design

Monobloc, compact, combined. In the world of travel maximum functionality needs to be achieved, and Randi, the proposed unit-kitchen line, is the range that offers this. Hobs and sink are as one single unit, hidden beneath 4 mm of tempered glass, also creating a practical table top. The design is, as always, customisable: available in the right-hand or left-hand version and with taps and fittings at choice. The pan supports are removable with rubber anti-vibration inserts.

FL1323	38
FL1324	38
FL1400	39
FL1401	39
FL1402	40
FL1410	40
FL1765	42
FL1766	42
FL1770	43
FL1780	43



FL1323

The smallest built-in rectangular gas hob-unit ever built - N°1 burners SR with rectangular sink right-handed.

Rectangular built-in stove, made from stainless steel, 1-burner gas supply, equipped with right-hand rectangular sink, stainless steel support grid fixed with anti-vibration grommets. Tempered black glass lid with concealed hinges.

Dimension	530x340x150mm
Number of burners	1
Power	SR 1,9 Kw
Supply	GPL 28-30 mbar
Weight	4,5 kg
Safety Device	Thermocouple
Power On	Piezomechanic
Energy Consumption	(SR 127g/h)
Dimension Hole Tap	ø 27mm

ACCESSORIES EXTRA

ALSO AVAILABLE WITH: Electric ignition 12v



Foldable chrome-plated plastic hot and cold or cold water tap, running on a 12v microswitch

RB1492 - RB1493



Replacement drain with 1 1/4" plug, ø 20-25 mm outlet.

LP1800

Scan the QR for more information



FL1324

The smallest built-in rectangular gas hob-unit ever built - N°1 burners SR with rectangular sink left-handed.

Rectangular built-in stove, made from stainless steel, 1-burner gas supply, equipped with left-hand rectangular sink, stainless steel support grid fixed with anti-vibration grommets. Tempered black glass lid with concealed hinges.

Dimension	530x340x150mm
Number of burners	1
Power	SR 1,9 Kw
Supply	GPL 28-30 mbar
Weight	4,5 kg
Safety Device	Thermocouple
Power On	Piezomechanic
Energy Consumption	(SR 127g/h)
Dimension Hole Tap	ø 27mm

ACCESSORIES EXTRA

ALSO AVAILABLE WITH: Electric ignition 12v



Foldable chrome-plated plastic hot and cold or cold water tap, running on a 12v microswitch

RB1492 - RB1493



Replacement drain with 1 1/4" plug, ø 20-25 mm outlet.

LP1800

Scan the QR for more information



FL1400

The most compact built-in rectangular gas hob-unit - N°2 burners A-SR Rectangular sink right-handed.

Rectangular built-in stove, made from stainless steel, 2-burner gas supply, equipped with right-hand rectangular sink, stainless steel support grid fixed with anti-vibration grommets. Single lid in black tempered glass with concealed hinges.

Dimension	716x340x150mm
Number of burners	2
Power	A 1 kW / SR 1.9 kW
Supply	GPL 28-30 mbar
Weight	5 kg
Safety Device	Thermocouple
Power On	Piezomechanic
Energy Consumption	(A 73g/h) (SR 127g/h)
Dimension Hole Tap	ø 27mm



ACCESSORIES EXTRA

ALSO AVAILABLE WITH: Electric ignition 12v



Scan the QR for more information

Replacement drain with 1 1/4" plug, ø 20-25 mm outlet.

LP1800



Foldable chrome-plated plastic hot and cold water tap, running on a 12v microswitch

RB1490 - RB1491



FL1401

The most compact built-in rectangular gas hob-unit - N°2 burners A-SR Rectangular sink right-handed.

Made from stainless steel, 2-burner gas supply, equipped with right-hand rectangular sink, stainless steel support grid fixed with anti-vibration grommets. Double lid in tempered black glass, divided between cooking area and sink, with concealed hinges.

Dimension	716x340x150mm
Number of burners	2
Power	A 1 kW / SR 1.9 kW
Supply	GPL 28-30 mbar
Weight	5 kg
Safety Device	Thermocouple
Power On	Piezomechanic
Energy Consumption	(A 73g/h) (SR 127g/h)
Dimension Hole Tap	ø 27mm



ACCESSORIES EXTRA

ALSO AVAILABLE WITH: Electric ignition 12v



Scan the QR for more information

Replacement drain with 1 1/4" plug, ø 20-25 mm outlet.

LP1800



Foldable chrome-plated plastic hot and cold water tap, running on a 12v microswitch

RB1490 - RB1491





FL1402

The most compact built-in rectangular gas hob-unit - N°2 burners A-SR Rectangular sink left-handed.

Made from stainless steel, 2-burner gas supply, equipped with left-hand rectangular sink, stainless steel support grid fixed with anti-vibration grommets. Double lid in tempered black glass, divided between cooking area and sink, with concealed hinges.

Dimension	716x340x150mm
Number of burners	2
Power	A 1 kW / SR 1.9 kW
Supply	GPL 28-30 mbar
Weight	6 kg
Safety Device	Thermocouple
Power On	Piezomechanic
Energy Consumption	(A 73g/h) (SR 127g/h)
Dimension Hole Tap	ø 27mm

ACCESSORIES EXTRA

ALSO AVAILABLE WITH: Electric ignition 12v



Foldable chrome-plated plastic hot and cold or cold water tap, running on a 12v microswitch

RB1492 - RB1493



Replacement drain with 1 1/4" plug, ø 20-25 mm outlet.

LP1800

Scan the QR for more information



FL1410

The most compact built-in rectangular gas hob-unit - N°2 burners A-SR Rectangular sink left-handed.

Made from stainless steel, 2-burner gas supply, equipped with left-hand rectangular sink, stainless steel support grid fixed with anti-vibration grommets. Single lid in black tempered glass with concealed hinges.

Dimension	716x340x150mm
Number of burners	2
Power	A 1 kW / SR 1.9 kW
Supply	GPL 28-30 mbar
Weight	7 kg
Safety Device	Thermocouple
Power On	Piezomechanic
Energy Consumption	(A 73g/h) (SR 127g/h)
Dimension Hole Tap	ø 27mm

ACCESSORIES EXTRA

ALSO AVAILABLE WITH: Electric ignition 12v



Foldable chrome-plated plastic hot and cold or cold water tap, running on a 12v microswitch

RB1492 - RB1493



Replacement drain with 1 1/4" plug, ø 20-25 mm outlet.

LP1800

Scan the QR for more information







FL1765

Rectangular gas hob-unit N°2 burners A-SR with rectangular sink right-hand, tap and waste not included.

Made from stainless steel, 2-burner gas supply, equipped with right-hand rectangular sink, stainless steel support grid fixed with anti-vibration grommets. Double lid in tempered black glass, divided between cooking area and sink, with concealed hinges.

Dimension	765x355x100+50mm
Number of burners	2
Power	A 1 kW / SR 1.9 kW
Supply	GPL 28-30 mbar
Weight	6 kg
Safety Device	Thermocouple
Power On	Piezomechanic
Energy Consumption	(A 73g/h) (SR 127g/h)
Dimension Hole Tap	ø 33mm

ACCESSORIES EXTRA

ALSO AVAILABLE WITH: Electric ignition 12v



Chrome-plated plastic hot and cold or cold water tap, running on a 12 v microswitch.

RB1487 - RB1488



Replacement drain with 1 1/4" plug, ø 20-25 mm outlet.

LP1800

Scan the QR for more information



FL1766

Rectangular gas hob-unit N°2 burners A-SR with rectangular sink left-hand, tap and waste not included.

Made from stainless steel, 2-burner gas supply, equipped with left-hand rectangular sink, stainless steel support grid fixed with anti-vibration grommets. Double lid in tempered black glass, divided between cooking area and sink, with concealed hinges.

Dimension	765x355x100+50mm
Number of burners	2
Power	A 1 kW / SR 1.9 kW
Supply	GPL 28-30 mbar
Weight	6 kg
Safety Device	Thermocouple
Power On	Piezomechanic
Energy Consumption	(A 73g/h) (SR 127g/h)
Dimension Hole Tap	ø 33mm

ACCESSORIES EXTRA

ALSO AVAILABLE WITH: Electric ignition 12v



Chrome-plated plastic hot and cold or cold water tap, running on a 12 v microswitch.

RB1487 - RB1488



Replacement drain with 1 1/4" plug, ø 20-25 mm outlet.

LP1800

Scan the QR for more information



FL1770

Rectangular gas hob-unit N°2 burners A-SR with rectangular sink right-hand, tap and waste not included.

Made from stainless steel, 2-burner gas supply, equipped with right-hand rectangular sink, stainless steel support grid fixed with anti-vibration grommets. Tempered black glass lid with concealed hinges.

Dimension	765x355x100+50mm
Number of burners	2
Power	A 1 kW / SR 1.9 kW
Supply	GPL 28-30 mbar
Weight	6 kg
Safety Device	Thermocouple
Power On	Piezomechanic
Energy Consumption	(A 73g/h) (SR 127g/h)
Dimension Hole Tap	ø 33mm



Scan the QR for more information



ACCESSORIES EXTRA

ALSO AVAILABLE WITH: Electric ignition 12v

Replacement drain with 1 1/4" plug, ø 20-25 mm outlet.

LP1800



Chrome-plated plastic hot and cold water tap, running on a 12 v microswitch.

RB1487 - RB1488



FL1780

Rectangular gas hob-unit N°2 burners A-SR with rectangular sink left-hand, tap and waste not included.

Made from stainless steel, 2-burner gas supply, equipped with left-hand rectangular sink, stainless steel support grid fixed with anti-vibration grommets. Tempered black glass lid with concealed hinges.

Dimension	765x355x100+50mm
Number of burners	2
Power	A 1 kW / SR 1.9 kW
Supply	GPL 28-30 mbar
Weight	6 kg
Safety Device	Thermocouple
Power On	Piezomechanic
Energy Consumption	(A 73g/h) (SR 127g/h)
Dimension Hole Tap	ø 33mm



Scan the QR for more information



ACCESSORIES EXTRA

ALSO AVAILABLE WITH: Electric ignition 12v

Replacement drain with 1 1/4" plug, ø 20-25 mm outlet.

LP1800



Chrome-plated plastic hot and cold water tap, running on a 12 v microswitch.

RB1487 - RB1488







SLIDE OUT PORTABLE KITCHEN

**Extractable,
removable,
manageable
and
convenient to
transport**

Quick couplings for water, gas and the supplied guides. Ideal for use in exterior environments. Possibility to create a hidden kitchenette. Telescopic legs for outdoor BBQ style use.

SL1400.LC	48
SL1323.LL	49
SL1350.LL	50
SL1336.LL	51

EXTERIOR KITCHEN

Installed in a technical compartment and mounted on guides, allowing it to slide in and out, turning it into a real exterior kitchen.



Removed from its support structure, with quick release system, and attached to the supplied telescopic legs, you can use it freely in the open air.

FIELD KITCHEN

BENCH GRILL CAMPING STOVE

The slide out portable kitchen works perfectly well as a bench kitchen or camping stove placed directly on the ground, ensuring maximum versatility of use.





SL1400

Extractable sliding out portable outdoor kitchen: combination unit with two burners and sink.

Dimension SL1400-LC	839x347x250mm
Dimension SL1400-LL	765x483x250mm
Height with Legs	min 724mm max 1000mm
Number of burners	2
Power	A 1 kW / SR 1.9 kW
Supply	GPL 28-30mbar
Weight	28 kg
Safety Device	Thermocouple
Power On	Piezomechanic
Energy Consumption	(A 73g/h) (SR 127g/h)

INCLUDED ACCESSORIES



Chrome-plated brass single gimbal tap with ceramic valves.

RB1486



Straight replacement drain with 1 1/4" plug.

LP1600



GAS HOSE

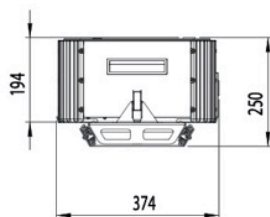
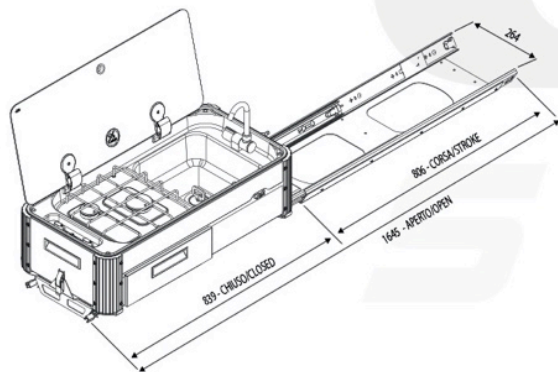


TELESCOPIC LEGS

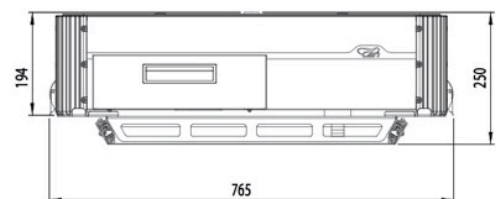
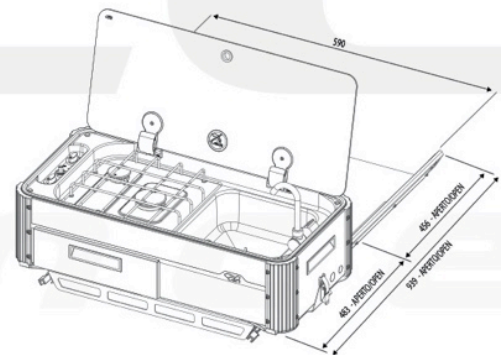
Scan the QR for more information



SL1400-LC



SL1400-LL



SL1323

Extractable sliding out portable outdoor kitchen: combination unit with one burner and sink

Dimension SL1323-LC	686x374x250mm
Dimension SL1323-LL	590x483x250mm
Height with Legs	min 724mm max 1000mm
Number of burners	1
Power	SR 1.9 kW
Supply	GPL 28-30mbar
Weight	16 kg
Safety Device	Thermocouple
Power On	Piezomechanic
Energy Consumption	(SR 127g/h)



INCLUDED ACCESSORIES



Scan the QR for more information



TELESCOPIC LEGS



GAS HOSE

Straight replacement drain with 1 1/4" plug.

LP1600

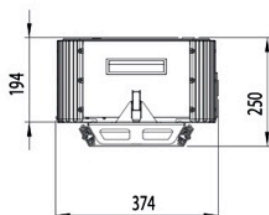
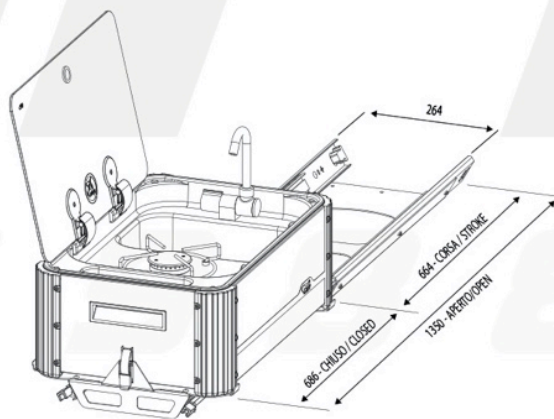


Chrome-plated brass single gimbal tap with ceramic valves.

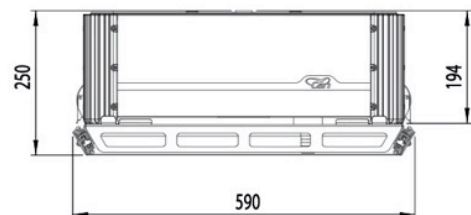
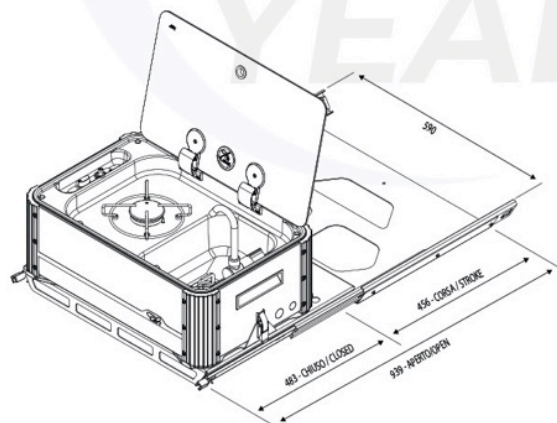
RB1486



SL1323-LC



SL1323-LL





SL1350

Extractable sliding out portable outdoor kitchen: cooktop with three burners.

Dimension SL1336-LC	839x374x250mm
Dimension SL1336-LL	765x483x250mm
Height with Legs	min 724mm max 1000mm
Number of burners	3
Power	A 1 kW / SR 1.9 kW / SR 1.9 kW
Supply	GPL 28-30mbar
Weight	28 kg
Safety Device	Thermocouple
Power On	Manual
Energy Consumption	(A 73g/h) (SR 127g/h) (SR 127g/h)

INCLUDED ACCESSORIES



GAS HOSE

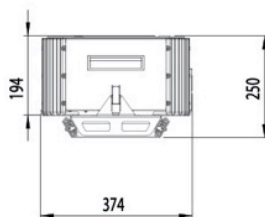
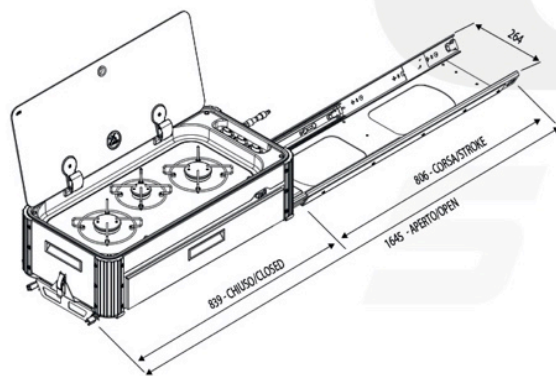


TELESCOPIC LEGS

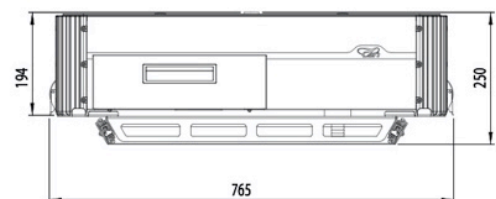
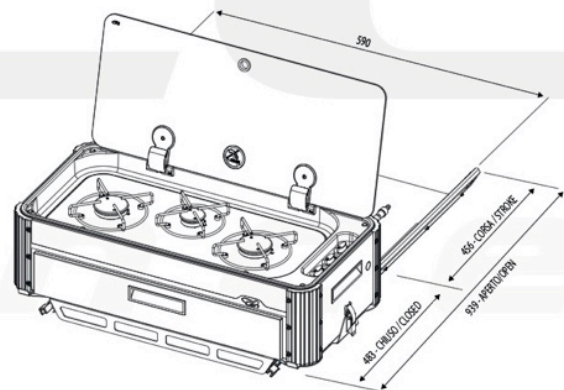
Scan the QR for more information



SL1350-LC



SL1350-LL



SL1338 - SL1336

Extractable sliding out portable outdoor kitchen: cooktop with two burners.

Dimension SL1338-LC	686x374x250mm
Dimension SL1336-LL	590x483x250mm
Height with Legs	min 724mm max 1000mm
Number of burners	2
Power	A 1 kW / SR 1.9 kW
Supply	GPL 28-30mbar
Weight	18 kg
Safety Device	Thermocouple
Power On	Piezomechanic
Energy Consumption	(A 73g/h) (SR 127g/h)



INCLUDED ACCESSORIES



Scan the QR for more information

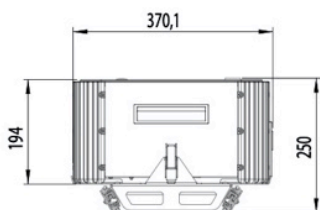
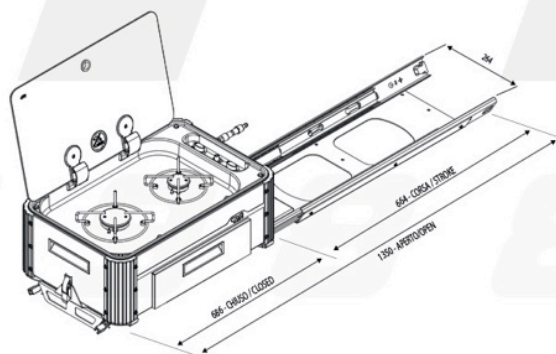


TELESCOPIC LEGS

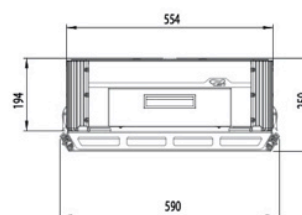
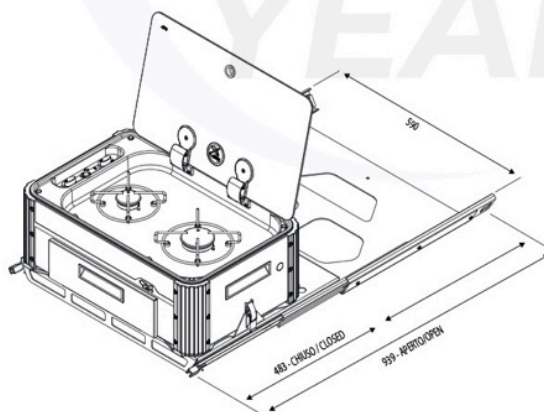


GAS HOSE

SL1338-LC



SL1336-LL





HOTTY

Simple. How to cook

At times, the more complex requirements have a simple solution. The Hotty: the CAN pressed stainless steel hob line can be installed on any surface with extreme ease, and support almost every request: with 1, 2 or 3 burners the kitchen is always a comfortable space.

PC1320

54

PC1321

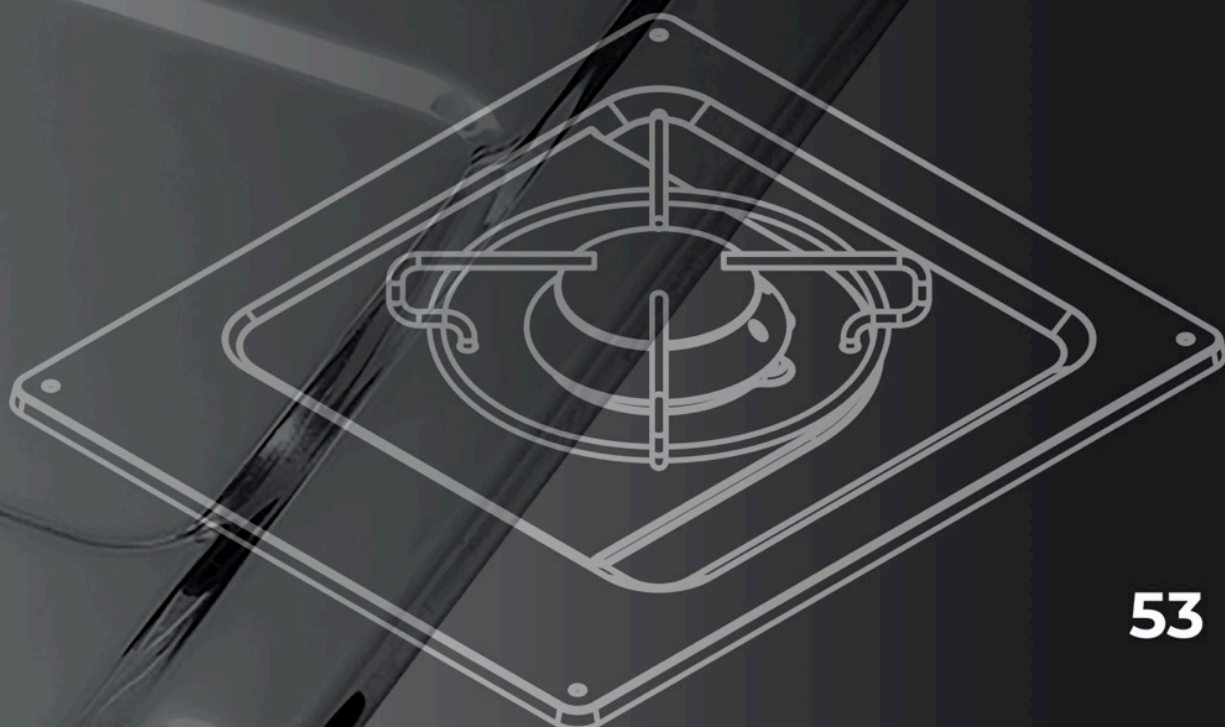
54

PC1322

55

PC1323

55





PC1320

Gas hob unit N°1 burner SR.

Built-in hob in mirror polished stainless steel with 1 burner. There is a special sleeve placed on the top of the unit that is used as a seat for the column type pan-holder.

Dimension	285x320mm
Number of Burners	1
Power	SR 1.9 kW
Supply	GPL 28-30 mbar
Weight	2,2 kg
Safety System	Thermocouple
Power On	Manual
Energy Consumption	(SR 127g/h)
Material	Aisi304 Stainless Steel

ACCESSORIES EXTRA

ALSO AVAILABLE WITH: Piezomechanic ignition



Column pot stand,
one clip.

PV1370

Scan the
QR for more
information



PC1321

Gas hob unit N°2 burners SR-SR.

Built-in hob in mirror polished stainless steel with 2 burners. There is a special sleeve placed on the top of the unit that is used as a seat for the column type pan-holder.

Dimension	350x320mm
Number of Burners	2
Power	SR 1.9 kW / SR 1.9 kW
Supply	GPL 28-30 mbar
Weight	3 kg
Safety System	Thermocouple
Power On	Manual
Energy Consumption	(SR 127g/h) (SR 127g/h)
Material	Aisi304 Stainless Steel

ACCESSORIES EXTRA

ALSO AVAILABLE WITH: Piezomechanic ignition



Column pot stand,
two clips.

PV1371

Scan the
QR for more
information



PC1322

Gas hob unit N°2 burners SR-SR.

Built-in hob in mirror polished stainless steel with 2 burners. There is a special sleeve placed on the top of the unit that is used as a seat for the column type pan-holder.

Dimension	380x360mm
Number of Burners	2
Power	SR 1.9 kW / SR 1.9 kW
Supply	GPL 28-30 mbar
Weight	3,6 kg
Safety System	Thermocouple
Power On	Manual
Energy Consumption	(SR 127g/h) (SR 127g/h)
Material	Aisi304 Stainless Steel



Scan the QR for more information



ACCESSORIES EXTRA

ALSO AVAILABLE WITH: Piezomechanic ignition

Column pot stand, two clips.

PV1371



PC1323

Gas hob unit N°3 burners A-SR-R.

Built-in hob in mirror polished stainless steel with 3 burners. There is a special sleeve placed on the top of the unit that is used as a seat for the column type pan-holder.

Dimension	470x360mm
Number of Burners	3
Power	A1kW/SR19kW/R30kW
Supply	GPL 28-30 mbar
Weight	4,6 kg
Safety System	Thermocouple
Power On	Manual
Energy Consumption	(A 73g/h) (SR 127g/h) (R 218g/h)
Material	Aisi304 Stainless Steel



Scan the QR for more information



ACCESSORIES EXTRA

ALSO AVAILABLE WITH: Electric ignition 12v

Column pot stand, two clips.

PV1372





FOLDY

Everything concealed

The space of a sink can enclose much more. This is why CAN has created Foldy: the kitchen-unit with the concealed hob. The tempered glass burner support, once closed, disappears within the sink, hiding the hob and creating a practical table top.

LC1701
LC1710

59
59

HOW TO USE FOLDY



LC1701

Combined round N°1 turning burner SR.

Compact round 1-burner stainless steel hinged stove equipped with self-locking lid, complete with sink and folding cold water tap (Cod. RB1486). The top is equipped with a tempered glass lid.

Dimension	350x320mm
Number of Burners	1
Power	SR 1,9 kW
Supply	GPL 28-30 mbar
Weight	6 kg
Safety System	Thermocouple
Power On	Manual
Energy Consumption	(SR 127g/h)
Material	Aisi304 Stainless Steel



Scan the QR for more information

ACCESSORIES EXTRA

ALSO AVAILABLE WITH: Piezomechanic ignition

Column pot stand, one clip,



PV1370

Mixer tap with folding bridge pipe.



RB1853

LC1710

Combined square N°1 turning burner SR.

Compact rectangular 1-burner stainless steel hinged stove equipped with self-locking lid, complete with sink and folding cold water tap (Cod. RB1486). The top is equipped with a tempered glass lid.

Dimension	350x320mm
Number of Burners	1
Power	SR19kW
Supply	GPL 28-30 mbar
Weight	6 kg
Safety System	Thermocouple
Power On	Manual
Energy Consumption	(SR 127g/h)
Material	Aisi304 Stainless Steel



Scan the QR for more information

ACCESSORIES EXTRA

ALSO AVAILABLE WITH: Piezomechanic ignition

Column pot stand, one clip,



PV1370

Mixer tap with folding bridge pipe.



RB1853



ELECTRICAL COOKING UNITS

The
alternative
to gas

Vitroc ceramic, induction, grill and electrical plates: if cooking by gas is not possible, CAN offer several alternatives. Electrical power supply has allowed the development of different style hobs, designed and produced with the same attention to detail.

PI3050	62
PT1356	62
PT1358	63
PB1327	64
PB1328	64



PI3050

Induction hob-unit N°2 cooking zone.

Built-in ceramic stove with 2 induction cooking zones.

Dimension	300x505x60mm
Number of cooking zones	2
Power	Zone 1 Ø 145mm 1200W Zone 2 Ø 210mm 1600W
Supply	220-240 V Frequency: 50/60 Hz
Weight	5 kg
Safety System	Key lock
Heating Technology	Induction
Energy Consumption	Zone 1: 176.4 Wh/kg Zone 2: 183.4 Wh/kg Stove: 179.9 Wh/kg
Material	Glass-ceramic

ACCESSORIES EXTRA

ALSO AVAILABLE WITH: Electricnition 12v



Stainless steel pot stand with 1 clip.

FP1320



Stainless steel pot stand with 2 clips.

FP1321

Scan the QR for more information



PT1356

Flush mounting vitroceramic hob-unit N°2 cooking zone.

Built-in ceramic stove with 2 radiating 220 V plates with "touch screen" control.

Dimension	285x505x60mm
Number of cooking zones	2
Power	Zone 1 Ø 145mm 1200W Zone 2 Ø 210mm 1600W
Supply	220-240 V Frequency: 50/60 Hz
Weight	5 kg
Safety System	Key lock
Heating Technology	Radiating elements
Energy Consumption	Zone 1: 176.4 Wh/kg Zone 2: 183.4 Wh/kg Stove: 179.9 Wh/kg
Material	Glass-ceramic

ACCESSORIES EXTRA

ALSO AVAILABLE WITH: Electricnition 12v



Stainless steel pot stand with 1 clip.

FP1320



Stainless steel pot stand with 2 clips.

FP1321

Scan the QR for more information



PT1358

Flush mounting vitroceramic hob-unit N°4 cooking zone.

Built-in ceramic stove with 4 radiating 220 V plates with "touch screen" control.

Dimension	580x505x50mm
Number of cooking zones	4
Power	Zone 1 Ø 145mm 1200W Zone 2 Ø 210mm 1600W Zone 3 Ø 145mm 1200W Zone 4 Ø 210mm 1600W
Supply	220-240 V Frequency: 50/60 Hz
Weight	8 kg
Safety System	Key lock
Heating Technology	Radiating elements
Energy Consumption	Zone 1: 176.4 Wh/kg Zone 2: 183.4 Wh/kg Zone 3: 176.4 Wh/kg Zone 4: 183.4 Wh/kg Stove: 179.9 Wh/kg
Material	Glass-ceramic



Scan the QR for more information



ACCESSORIES EXTRA

ALSO AVAILABLE WITH: Piezomechanic ignition

Stainless steel pot stand with 2 clips.



FP1321

Stainless steel pot stand with 1 clip.



FP1320



PB1327

Flush mounting electric barbecue with lava stone.

Built-in stainless steel stove with lava stones and electric grill at 2400 Watt - 220 V.



Dimension	300x500x55mm
Number of Burners	1
Power	2400 kW
Supply	220-240 V Frequency: 50/60 Hz
Weight	7 kg
Power On	Radiating element / Resistance
Energy Consumption	(A 73g/h) (SR 127g/h) (SR 127g/h)
Material	Steel with enameled grill

Scan the
QR for more
information



PB1328

Flush mounting electric hob.

Built-in stove with stainless steel structure, barbecue in striped glass-ceramic at 2400 Watt - 220 V.



Dimension	305x510x60mm
Number of Burners	1
Power	2500 kW
Supply	220-240 V Frequency: 50/60 Hz
Weight	5,5 kg
Power On	Radiating element / Resistance
Energy Consumption	(A 73g/h) (SR 127g/h) (SR 127g/h)
Material	Striped glass-ceramic

Scan the
QR for more
information







SINKS WITH FAUCET

And the sink disappears

The CAN stainless steel sinks are fully customisable due to the shapes and accessories offered. They're available in oval, round, or square shapes, and with different faucet variations. What do they have in common? Extreme attention to overall dimension and design: that can give a new table top with minimal space.



LR1450	68
LR1751	68
LR1760	69
LR1770	69



LR1450

Elliptic sink with tempered glass lid cover cold water.
 Compact oval sink in polished stainless steel, equipped with tempered glass lid and folding cold water tap (Cod. RB1486).

Dimension	460x340x160mm
Finish	Glossy
Weight	4,5 kg
Mixer Tap	Included
Material	Aisi304 Stainless Steel

Scan the QR for more information



AVAILABLE WATER ACCESSORIES

- 

Straight replacement drain with 1 1/4" plug.

LP1600
- 

Straight replacement drain with 1 1/2" plug.

LP1610
- 

Replacement drain with 1 1/4" plug, ø 20-25 mm outlet.

LP1800
- 

Double handle, in chrome-plated brass with ceramic valves.

RB1485
- 

Mixer tap with folding bridge pipe.

RB1853



LR1751

Round sink with tempered glass cover.
 Compact round sink in polished stainless steel, equipped with tempered glass lid and folding cold water tap (Cod. RB1486).

Dimension	Ø 300x180mm
Finish	Glossy
Weight	4,5 kg
Mixer Tap	Included
Material	Aisi304 Stainless Steel

Scan the QR for more information



AVAILABLE WATER ACCESSORIES

- 

Straight replacement drain with 1 1/4" plug.

LP1600
- 

Straight replacement drain with 1 1/2" plug.

LP1610
- 

Replacement drain with 1 1/4" plug, ø 20-25 mm outlet.

LP1800
- 

Mixer tap with folding bridge pipe.

RB1853

LR1760

Rectangular sink with tempered glass cover.

Compact rectangular sink in semi-gloss stainless steel, equipped with tempered glass lid and folding cold water tap (Cod. RB1486).

Dimension	350x320x150mm
Finish	Semi-gloss
Weight	4,5 kg
Mixer Tap	Included
Material	Aisi304 Stainless Steel



Scan the QR for more information



AVAILABLE WATER ACCESSORIES

Mixer tap with folding bridge pipe.



RB1853

Double handle, in chrome-plated brass with ceramic valves.



RB1485

Replacement drain with 1/4" plug, ø 20-25 mm outlet.



LP1800

Straight replacement drain with 1/2" plug.



LP1610

Straight replacement drain with 1/4" plug.



LP1600

New

LR1770

Round sink with tempered glass cover.

Compact round sink matt finish with tempered glass. Tap not included.

Dimension	Ø 407x150mm
Finish	Frosted
Weight	3,9 kg
Mixer Tap	Not Included
Material	Aisi304 Stainless Steel



Scan the QR for more information



AVAILABLE WATER ACCESSORIES

Replacement drain with 1/4" plug, ø 20-25 mm outlet.



LP1800

Straight replacement drain with 1/4" plug.



LP1600



Chrome-plated plastic hot&cold or cold water tap, running on a 12 v microswitch.

RB1487 - RB1488



Chrome-plated plastic hot&cold or cold water tap, running on a 12 v microswitch.

RB1490 - RB1491

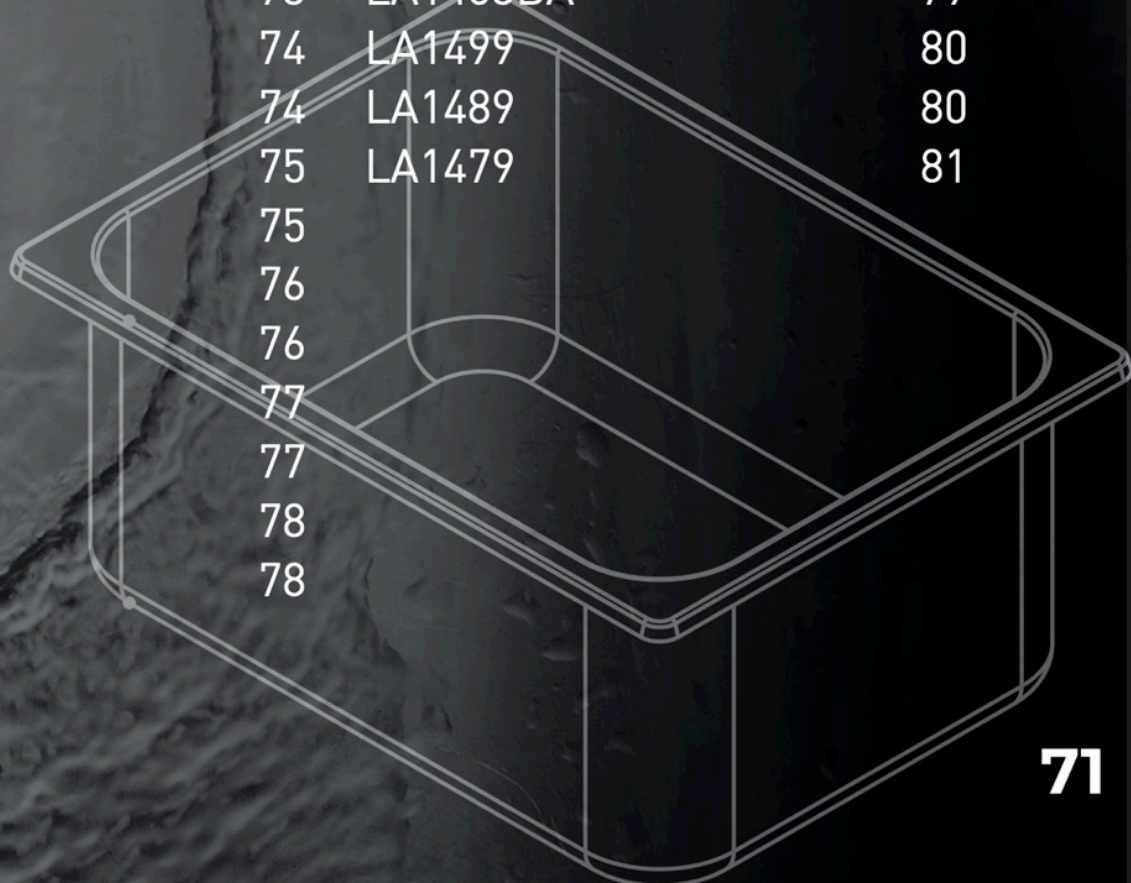


SINKS

All the shapes of the water

For CAN, design is function and much more. The shape can become pure aesthetics and the opportunity to enhance the excellence of stainless steel, or of other materials. Sinks are an example, whether square, hemispheric, elliptical in stainless steel or glass. The architecture of every kitchen can thus always find a perfect recessed solution with customised shapes and dimensions.

LA1400	73	LA1418BA	79
LA1401	73	LA1403BA	79
LA1402	74	LA1499	80
LA1403	74	LA1489	80
LA1404	75	LA1479	81
LA1410	75		
LA1411	76		
LA1413	76		
LA1414	77		
LA1417	77		
LA1418	78		
LA1420	78		





LA1400

Rectangular semipolish sink.
Semi-gloss stainless steel rectangular sink.

Dimension	355x260x150mm
Finish	Semi-gloss
Weight	1 kg
Material	Aisi304 Stainless Steel



Scan the QR for more information

AVAILABLE WATER ACCESSORIES

Replacement drain with 1/4" plug, ø 20-25 mm outlet.



LP1800

Straight replacement drain with 1/2" plug.



LP1610

Straight replacement drain with 1/4" plug.



LP1600

LA1401

Rectangular semipolish sink.
Semi-gloss stainless steel rectangular sink.

Dimension	355x260x150mm
Finish	Semi-gloss
Weight	1,3 kg
Material	Stainless steel 304 L



Scan the QR for more information

AVAILABLE WATER ACCESSORIES

Replacement drain with 1/4" plug, ø 20-25 mm outlet.



LP1800

Straight replacement drain with 1/2" plug.



LP1610

Straight replacement drain with 1/4" plug.



LP1600



LA1402

Rectangular semipolish sink.
Semi-gloss stainless steel rectangular sink.

Dimension	350x320x150mm
Finish	Semi-gloss
Weight	1,5 kg
Material	Stainless steel 304 L

Scan the QR for more information



AVAILABLE WATER ACCESSORIES



Straight replacement drain with 1/4" plug.

LP1600



Straight replacement drain with 1/2" plug.

LP1610



Replacement drain with 1/4" plug, ø 20-25 mm outlet.

LP1800



LA1403

Square semipolish sink.
Semi-gloss stainless steel square sink.

Dimension	360x360x150mm
Finish	Semi-gloss
Weight	1,6 kg
Material	Stainless steel 304 L

Scan the QR for more information



AVAILABLE WATER ACCESSORIES



Straight replacement drain with 1/4" plug.

LP1600



Straight replacement drain with 1/2" plug.

LP1610



Replacement drain with 1/4" plug, ø 20-25 mm outlet.

LP1800

LA1404

Rectangular semipolish sink.

Semi-gloss stainless steel rectangular sink.

Dimension	170x320x150mm
Finish	Semi-gloss
Weight	0,8 kg
Material	Stainless steel 304 L



Scan the QR for more information

AVAILABLE WATER ACCESSORIES

Replacement drain with 1/4" plug, ø 20-25 mm outlet.



LP1800

Straight replacement drain with 1 1/2" plug.



LP1610

Straight replacement drain with 1 1/4" plug.



LP1600

LA1410

Semispheric mirror polish sink.

Mirror polished stainless steel semi-spherical sink.

Dimension	Ø 290x120mm
Finish	Mirror polish
Weight	0,6 kg
Material	Stainless steel 304 L



Scan the QR for more information

AVAILABLE WATER ACCESSORIES

Replacement drain with 1/4" plug, ø 20-25 mm outlet.



LP1800

Straight replacement drain with 1 1/2" plug.



LP1610

Straight replacement drain with 1 1/4" plug.



LP1600



LA1411

Semispheric mirror polish sink.

Mirror polished stainless steel semi-spherical sink.

Dimension	Ø 330x150mm
Finish	Mirror polish
Weight	0,8 kg
Material	Stainless steel 304 L

Scan the QR for more information



AVAILABLE WATER ACCESSORIES



Straight replacement drain with 1/4" plug.

LP1600



Straight replacement drain with 1/2" plug.

LP1610



Replacement drain with 1/4" plug, Ø 20-25 mm outlet.

LP1800



LB1413

Semispheric white sink.

White semi-circular stainless steel sink.

Dimension	Ø 290x120mm
Finish	Enameled white
Weight	0,6 kg
Material	Stainless steel 304 L

Scan the QR for more information



AVAILABLE WATER ACCESSORIES



Straight replacement drain with 1/4" plug.

LP1600



Straight replacement drain with 1/2" plug.

LP1610



Replacement drain with 1/4" plug, Ø 20-25 mm outlet.

LP1800

LB1414

Semispheric white sink.

White semi-circular stainless steel sink.

Dimension	Ø 330x150mm
Finish	Enameled white
Weight	0,8 kg
Material	Stainless steel 304 L



Scan the QR for more information

AVAILABLE WATER ACCESSORIES

Replacement drain with 1/4" plug, ø 20-25 mm outlet.



LP1800

Straight replacement drain with 1/2" plug.



LP1610

Straight replacement drain with 1/4" plug.



LP1600

LA1417

Semispheric mirror polish sink.

Mirror polished stainless steel semi-spherical sink.

Dimension	Ø 330x180mm
Finish	Mirror polish
Weight	1,4 kg
Material	Stainless steel 304 L



Scan the QR for more information

AVAILABLE WATER ACCESSORIES

Replacement drain with 1/4" plug, ø 20-25 mm outlet.



LP1800

Straight replacement drain with 1/2" plug.



LP1610

Straight replacement drain with 1/4" plug.



LP1600



LA1418

Round mirror polish sink.
Mirror polished stainless steel round sink.

Dimension	Ø 385x150mm
Finish	Mirror polish
Weight	1,8 kg
Material	Stainless steel 304 L

Scan the QR for more information



AVAILABLE WATER ACCESSORIES



Straight replacement drain with 1/4" plug.

LP1600



Straight replacement drain with 1/2" plug.

LP1610



Replacement drain with 1/4" plug, ø 20-25 mm outlet.

LP1800



LA1420

Elliptic mirror polish sink.
Mirror polished stainless steel elliptical sink.

Dimension	380x260x140mm
Finish	Mirror polish
Weight	1,3 kg
Material	Stainless steel 304 L

Scan the QR for more information



AVAILABLE WATER ACCESSORIES



Straight replacement drain with 1/4" plug.

LP1600



Straight replacement drain with 1/2" plug.

LP1610



Replacement drain with 1/4" plug, ø 20-25 mm outlet.

LP1800

LB1418BA

Round matte finish sink.

Frosted stainless steel round sink.

Dimension	Ø 385x120mm
Finish	Frosted
Weight	1,5 kg
Material	Stainless steel 304 L



Scan the QR for more information

AVAILABLE WATER ACCESSORIES

Replacement drain with 1/4" plug, ø 20-25 mm outlet.



LP1800

Straight replacement drain with 1/2" plug.



LP1610

Straight replacement drain with 1/4" plug.



LP1600

LA1403BA

Square matte finish sink.

Frosted stainless steel square sink.

Dimension	360x360x150mm
Finish	Frosted
Weight	1,6 kg
Material	Stainless steel 304 L



Scan the QR for more information

AVAILABLE WATER ACCESSORIES

Replacement drain with 1/4" plug, ø 20-25 mm outlet.



LP1800

Straight replacement drain with 1/2" plug.



LP1610

Straight replacement drain with 1/4" plug.

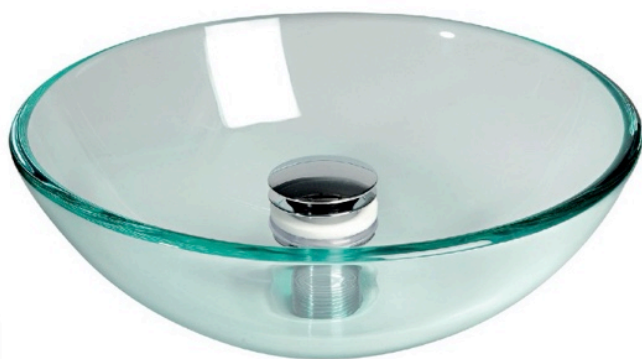


LP1600

LA1499

Semispheric glass sink.

Transparent glass semi-circular sink.



Dimension	Ø 280x110mm
Finish	Neutral
Weight	2,2 kg
Material	Tempered Glass

AVAILABLE WATER ACCESSORIES



Replacement "easy click" 1/4" straight drain for glass sinks.

LP1699

Scan the QR for more information



LA1489

Semispheric glass sink.

Transparent glass semi-circular sink.



Dimension	Ø 360x125mm
Finish	Neutral
Weight	3,6 kg
Material	Tempered Glass

AVAILABLE WATER ACCESSORIES



Replacement "easy click" 1/4" straight drain for glass sinks.

LP1699

Scan the QR for more information

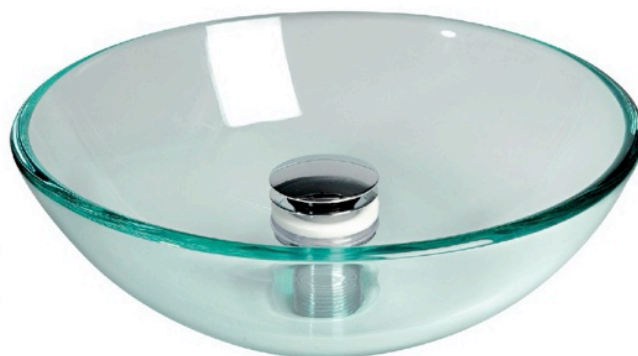


LA1479

Semispheric glass sink.

Transparent glass semi-circular sink.

Dimension	Ø 420x140mm
Finish	Neutral
Weight	4,2 kg
Material	Tempered Glass



Scan the QR for more information

AVAILABLE WATER ACCESSORIES



Replacement "easy click" 1/4" straight drain for glass sinks.

LP1699





OUTDOOR

Hobs as supports: always free to cook

When a dedicated cooking area is not needed, but it is the freedom of action to guide the choice of the ideal stove, CAN offer the support solutions. The gas stoves of the Hotty line allow a free installation and make every surface a perfect hob, to cook hot meals in any situation.

FN1330

84

FN1332

84



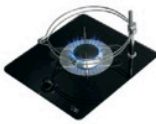
FN1330

Gas stoves N°1 burner SR.

Gas stove in mirror polished stainless steel with fixing brackets interchangeable with the CAN gimbal system.

Dimension	210x290x90mm
Number of Burners	1
Power	SR 1.9 kW
Supply	GPL 28-30 mbar
Weight	2 kg
Safety System	Thermocouple
Power On	Manual
Energy Consumption	(SR 127g/h)
Material	Stainless steel 304 L

ACCESSORIES EXTRA



Column pot stand,
one clip.

PV1370

Scan the
QR for more
information



FN1332

Gas stoves N°2 burners A-SR.

Gas stove in mirror polished stainless steel with interchangeable fixing brackets for the CAN gimbal system.

Dimension	440x290x90mm
Number of Burners	2
Power	A 1 kW / SR 1,9 kW
Supply	GPL 28-30 mbar
Weight	4 kg
Safety System	Thermocouple
Power On	Manual
Energy Consumption	(A 73g/h) (SR 127g/h)
Material	Stainless steel 304 L

ACCESSORIES EXTRA



Column pot stand,
two clip.

PV1371

Scan the
QR for more
information








ACCESSORIES

The difference
is in the
details

It is a pan-holder that stabilises every item on the hob with a retractable tap and a seal that reduces vibrations. These are the details that make the difference. They are much more than just options, the accessories for CAN are the recipients of a particular research, making quality a really complete promise.



RB1490	91	LP1600	88
RB1491	91	LP1601	88
RB1492	91	LP1602	88
RB1493	91	LP1610	88
RB1853	92	LP1800	89
FP1320	92	LP1000	89
FP1321	92	LP1616	89
PV1370	92	LP1699	89
PV1371	93	RB1485	90
PV1372	93	RB1486	90
		RB1487	90
		RB1488	90



LP1600

Straight replacement drain with 1 1/4" plug.

Compatible with	All our products
Product Size	Thread; 1/4"
Material	Plastic - Stainless Steel



LP1601

Straight drain pipe Ø 25 mm with 1 1/4" thread.

Compatible with	LP1600
Product Size	Ø 25mm - Thread: 1/4"
Material	Plastic



LP1602

90° Ø 25 mm drain pipe with 1 1/4" thread.

Compatible with	All our products
Product Size	Ø 25mm - Thread: 1/4"
Material	Plastic



LP1610

Straight replacement drain with 1 1/2" plug.

Compatible with	All our products
Product Size	Thread; 1/2"
Material	Plastic - Stainless Steel

LP1800

Replacement drain with 1 1/4" plug, ø 20-25 mm outlet.

Compatible with	All our products
Product Size	Ø 20-25mm, Thread: 1 1/4"
Material	Plastic - Stainless Steel



LP1000

Universal 1 1/2" plug.

Compatible with	All our products
Product Size	Plug: 1 1/2"
Material	Plastic



LP1616

Straight overflow outlet with 1 1/2" plug.

Compatible with	All our products
Product Size	Thread: 1 1/2"
Material	Plastic - Stainless Steel



LP1699

Replacement "easy click" 1 1/4" straight drain for glass sinks.

Compatible with	All our products
Product Size	Thread: 1 1/4"
Material	Chrome-plated brass



Scan the QR for more information



RB1485

Swivel mixer tap, double handle, in chrome-plated brass with ceramic valves.

Installation Hole	2 Holes Ø 18mm
Product Size	180x78x158mm
Material	Chrome-plated brass
Type of water	Hot and cold water

Scan the QR for more information



RB1486

Chrome-plated brass single gimbal tap with ceramic valves.

Installation Hole	Ø 18mm
Product Size	190x100x96mm
Material	Chrome-plated brass
Type of water	Cold water

Scan the QR for more information



RB1487

Chrome-plated plastic cold water tap, running on a 12 v microswitch.

Installation Hole	Ø 33mm
Product Size	37x160x96mm
Material	Chrome-plated plastic
Type of water	Cold water

Scan the QR for more information



RB1488

Chrome-plated plastic cold and hot water mixer tap, running on a 12 v microswitch.

Installation Hole	Ø 33mm
Product Size	37x160x96mm
Material	Chrome-plated plastic
Type of water	Hot and cold water

RB1490

Chrome-plated plastic folding cold water tap, running on a 12 v microswitch.

Installation Hole	Ø 22mm
Product Size	191x150x97mm
Material	Chrome-plated plastic
Type of water	Cold water



Scan the QR for more information



RB1491

Foldable chrome-plated plastic mixer tap, running on a 12 v microswitch.

Installation Hole	Ø 27mm
Product Size	191x150x97mm
Material	Chrome-plated plastic
Type of water	Hot and cold water



Scan the QR for more information



RB1492

Foldable chrome-plated plastic mixer tap, short barrel, running on a 12 v microswitch.

Installation Hole	Ø 22mm
Product Size	179x110x97mm
Material	Chrome-plated plastic
Type of water	Cold water



Scan the QR for more information



RB1493

Foldable chrome-plated plastic mixer tap, short barrel, running on a 12 v microswitch.

Installation Hole	Ø 28mm
Product Size	179x110x97mm
Material	Chrome-plated plastic
Type of water	Hot and cold water



Scan the QR for more information



Scan the QR for more information



RB1853

Mixer tap with folding bridge pipe.

Installation Hole	Ø 33.5mm
Product Size	180x160x120mm
Material	Chrome-plated brass
Type of water	Hot and cold water

Scan the QR for more information



FP1320

Stainless steel pot stand with 1 clip.

Material	Stainless steel 304 L
Compatible with	PT1356, PT1358, PI3050

Scan the QR for more information



FP1321

Stainless steel pot stand with 2 clips.

Material	Stainless steel 304 L
Compatible with	PT1356, PT1358, PI3050

Scan the QR for more information



PV1370

Column pot stand, one clip, suitable for all CAN cooking stoves.

Material	Stainless steel 304 L
Compatible with	All 1-burner gas cooktops

PV1371

Column pot stand, two clips, suitable for all CAN cooking stoves.

Material	Stainless steel 304 L
Compatible with	All 2-burner gas cooktops



Scan the QR for more information



PV1372

Column pot stand, three clips, suitable for all CAN cooking stoves.

Material	Stainless steel 304 L
Product Size	All 3-burner gas cooktops



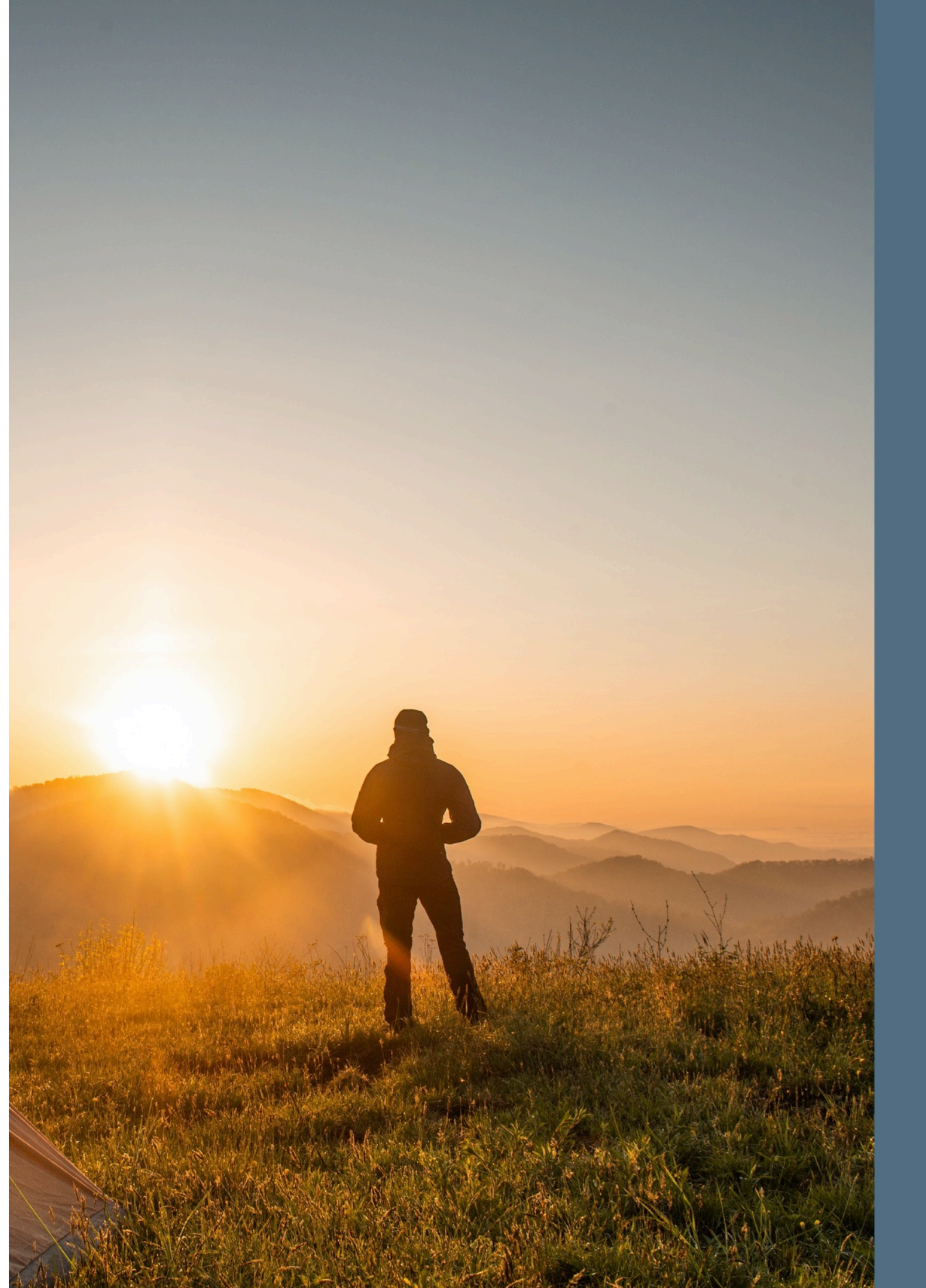
Scan the QR for more information



1988

30
YEAR







GENERAL TERMS AND CONDITIONS OF SALE

These "General Terms and Conditions of Sale" may be modified and / or updated by CAN S.r.l. at any time also on the basis of possible regulatory changes.

1-ORDERS

We only accept orders in writing with explicit reference to the type of products (code / description) and to the desired quantities. Any special condition, proposed or discussed with agents and representatives, remain subject to the written approval of CAN S.r.l. The Order confirmation is legally binding to the Purchaser. Each order will be processed according to the specific availability of the moment: any remaining will be sent later. CAN S.r.l. reserves the right to make any changes deemed appropriate in order to improve the production and the processing of individual orders without giving any prior notice to the Customer.

2-PRICES

Prices are those in force at the time of the order and may change without notice. These prices are not binding and do not represent any quotation. Prices are always Ex-Works (EXW) and do not include:

- taxes (of every kind)
- packing costs (to be calculated on the total amount of the ordered goods)
- transport, insurance, customs and any other charges.

3-PAYMENTS

In the case of a "first delivery" or a "new customer", payment must be made in advance by bank transfer. Advance payment must be made at the time of the order. Failure to comply with the payment terms, will cancel any order in progress. In case of non-payment or delayed payment, the normal default interest will be applied, which will automatically be charged without the need for a formal notice. Claims of any value or entity do not give the right to suspend payments.

4-SAMPLES

All the costs for "samples products" are normally charged to the customer.

5-SHIPMENT

The goods are always sold "Ex-Works" (EXW) with transportation costs borne by the customer or, in other cases, borne by CAN S.r.l. with a recharge to the customer on the final invoice. The customer is always the sole responsible for the transport and for any damage that may arise due to the transport itself. Any defects of the products must be reported in writing to CAN S.r.l. within 8 days of delivery.

6-RETURNS OR COMPLAINTS

Every return of goods must always be previously authorized in writing by CAN S.r.l. following a suitable complaint procedure and must be carried out, ex our warehouse, no later than 30 days from the date of receipt by the customer of the disputed goods. The time for handling the repair / replacement of the returns, may vary depending on the complexity of the operations. Returns are normally processed within and no later than 60 days from the date of return of the goods in the company warehouse.

7-PROTECTION OF THE INTELLECTUAL PROPERTY OF CAN S.r.l.

The customer acknowledges the Intellectual Property Rights of CAN S.r.l. and undertakes not to eliminate, alter or modify the Marks, the identification signs of the Products and all the distinctive signs of CAN S.r.l. affixed to the Products and/or their packaging, as well as not altering the Products and not making any changes to the individual packaging. The customer also undertakes not to deposit and/or register, directly and/or indirectly (also through third parties) trademarks, names, company names, domain names, in any case any other distinctive signs that are identical and/or similar and that might be confused with those of CAN S.r.l. Any different use of the intellectual property of CAN S.r.l. by the Customer, if not expressly granted by CAN S.r.l. in writing, will be considered as a violation, by the Customer, of the aforementioned exclusive rights of CAN S.r.l. also in terms of contractual liability and, as such, it will be properly prosecuted by the law. The documents, drawings, data and information (both in paper form and on Electric support) provided to the Customer, remain the exclusive property of CAN S.r.l. and constitute only support for a better representation of the Products: The Customer undertakes not to reproduce them, not to disclose them to third parties and also to take appropriate precautions against their personnel in order to guarantee their protection.

8-PROPERTY RESERVE CLAUSE

The products remain fully owned and available by CAN S.r.l. until the date on which the Customer has paid the full price of the goods and all the other amounts due to the seller.

9-CHARACTERISTICS OF THE PRODUCTS AND DESCRIPTIVE-ILLUSTRATIVE DOCUMENTS

The characteristics and/or technical specifications of the products shown on any commercial support including the website are merely indicative and are not binding for CAN S.r.l. . CAN S.r.l. assumes no responsibility for errors or omissions that might be contained in its price lists or in its informative / promotional material.

10-DISPUTES

The sale and purchase relationships are governed exclusively by Italian law: In case of disputes, the Brescia Court will be exclusively competent.

11-FINAL PROVISIONS

Pursuant to and for the purposes of Articles 1341 and 1342 of the Italian Civil Code, the Customer declares to be informed about the contents of points: 1-2-3-4-5-6-7-8-9-10 that hereby specifically approves.